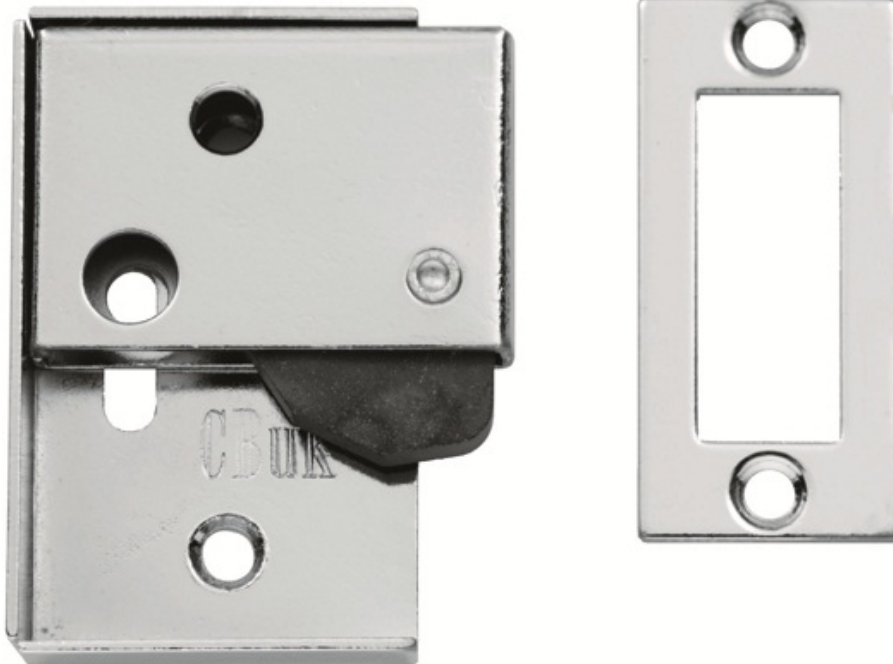


Easi-Keep Latch

Product Images

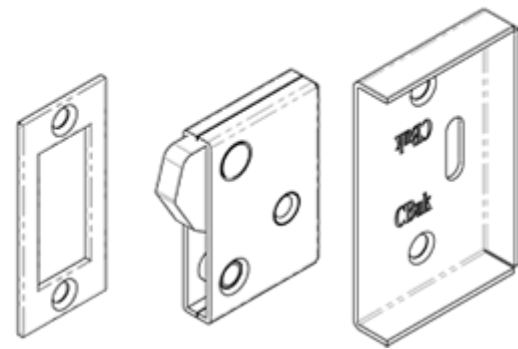
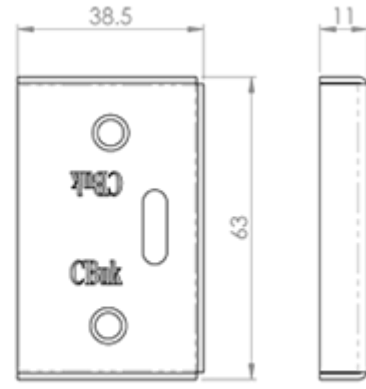
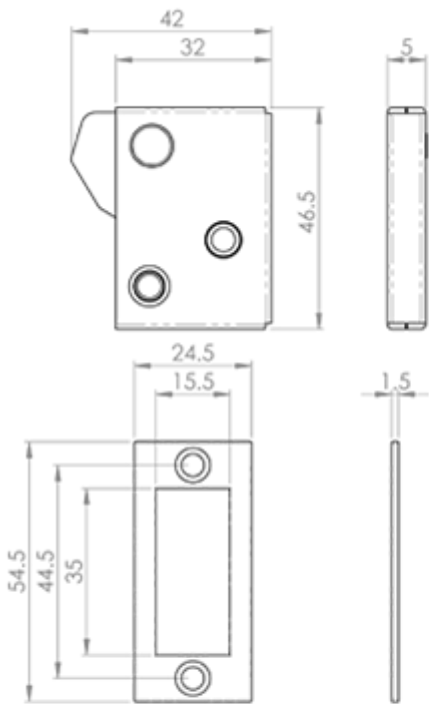




Description

To aid locking of self-closing doors in a simple operation. As the door closes the cam is lifted up by the tubular latch and then falls behind it securing the door in the closed position. To release and open the door, simply depress the door lever handle to retract the latch.

Technical Details



AA46

This drawing is the property of Carlisle Brass Limited. all design rights reserved

Specification



Additional Information

SKU	AA46
Brands	Carlisle Brass
Technical	4
Line Drawings	AA46.pdf
Fitting	AA46.pdf

Product Options

Finishes:

Powder Coat White

Polished Chrome

Sizes:

63mm x 39mm